

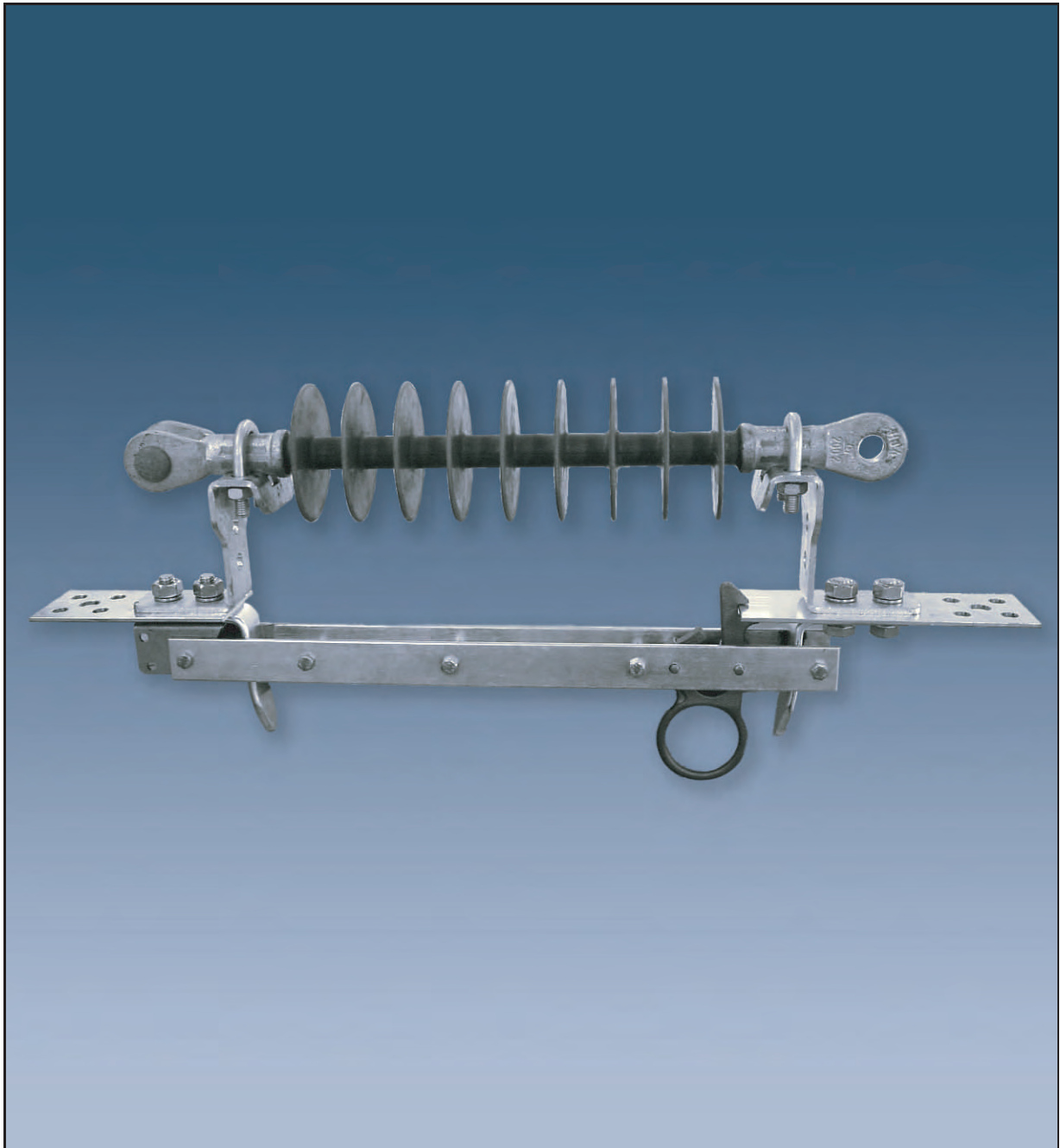


A U S T R A L I A

AEM Australia Pty. Ltd.
ABN 76 003 136 383

Quality
Endorsed
Company
ISO 9001:2000
Lic. No. 0807
Standards Australia

M.V. Suspension Link Type "SL 200"



Rated Voltage:	12kV to 36kV
Rated Current:	200kVp
Continuous Current:	800A & 1000A
Short Time Withstand Current:	20kA/3secs 25kA/1sec
Dry Withstand:	80kV/1min
Tension:	70kN
Torsion:	47N-m

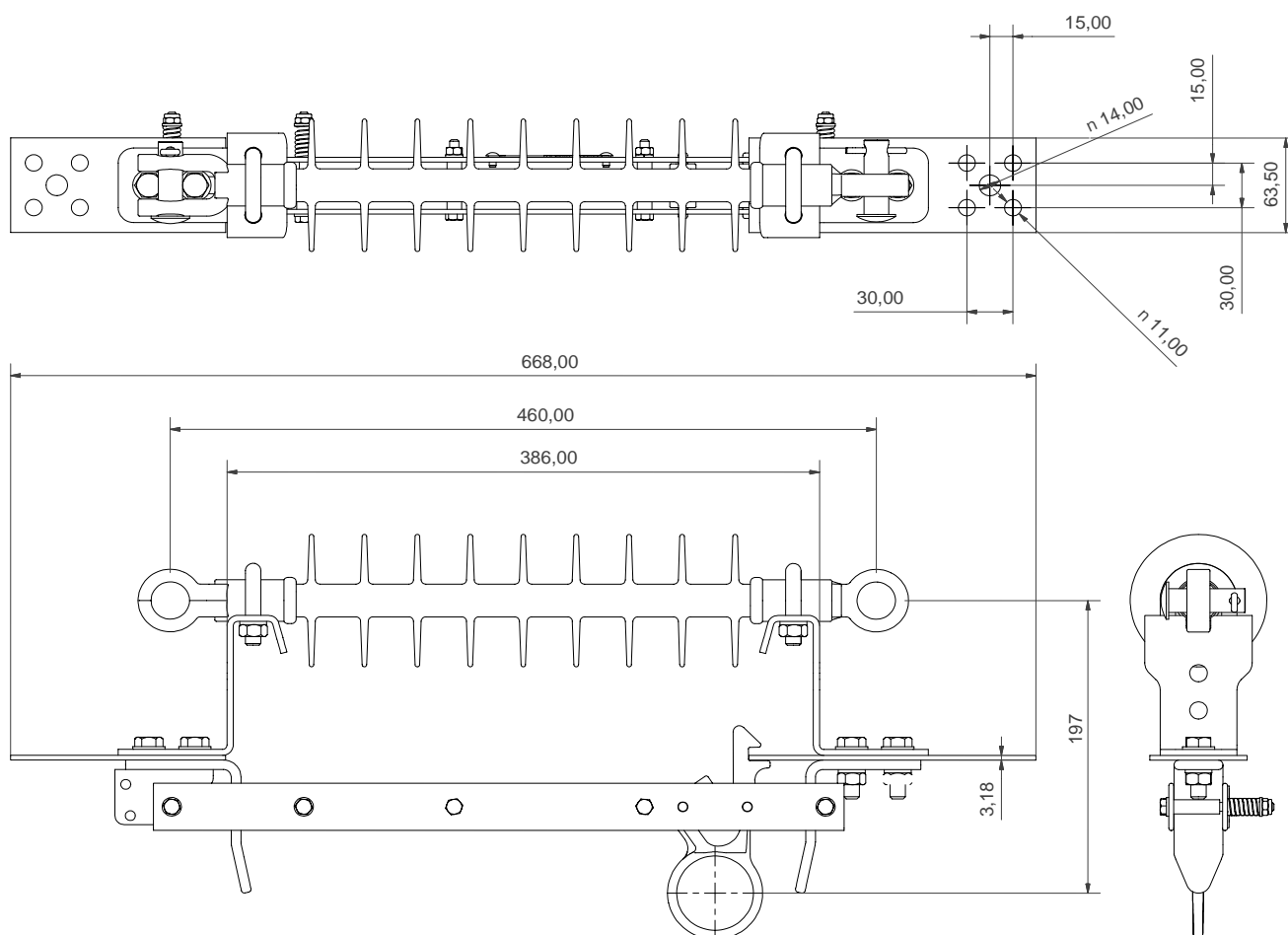
M.V. Suspension Link Type "SL 200"

General Description

The AEM Type "SL 200" is a Single Phase Disconnecter designed for MV Outdoor Distribution Systems to Comply with IEC 129 and AS 1306-1985.

Features

- Positive Latching Prevents accidental opening caused by faults, vibration, wind, etc.
- Current carrying parts are manufactured from HD.HC. Copper.
- Silver Plated contacts for high performance, low maintenance and long operational life.
- Hinge End Contact blade so that the current is not carried through the pivot joint. This feature also ensures blade alignment when closing the disconnecter.
- Terminal Palms are bright tin plated for use with copper and aluminum connectors.
- Grey silicone rubber insulator combines excellent electrical properties and lightweight with robust design and long operational life.
- Load Break Hook Option.



CAT. No. AEM 108.2



AEM Australia Pty. Ltd.
ABN 76 003 136 383

27 Walker Street SOUTH WINDSOR NSW 2756 - AUSTRALIA. Phone: +61-2-4577 2866 Fax: +61-2-4577 3711 www.aemaust.com.au
email: sales@aemaust.com.au

AEM Australia Pty Ltd is working continually to improve their products, therefore this company reserves the right to change or amend the information contained in this leaflet without notice.