

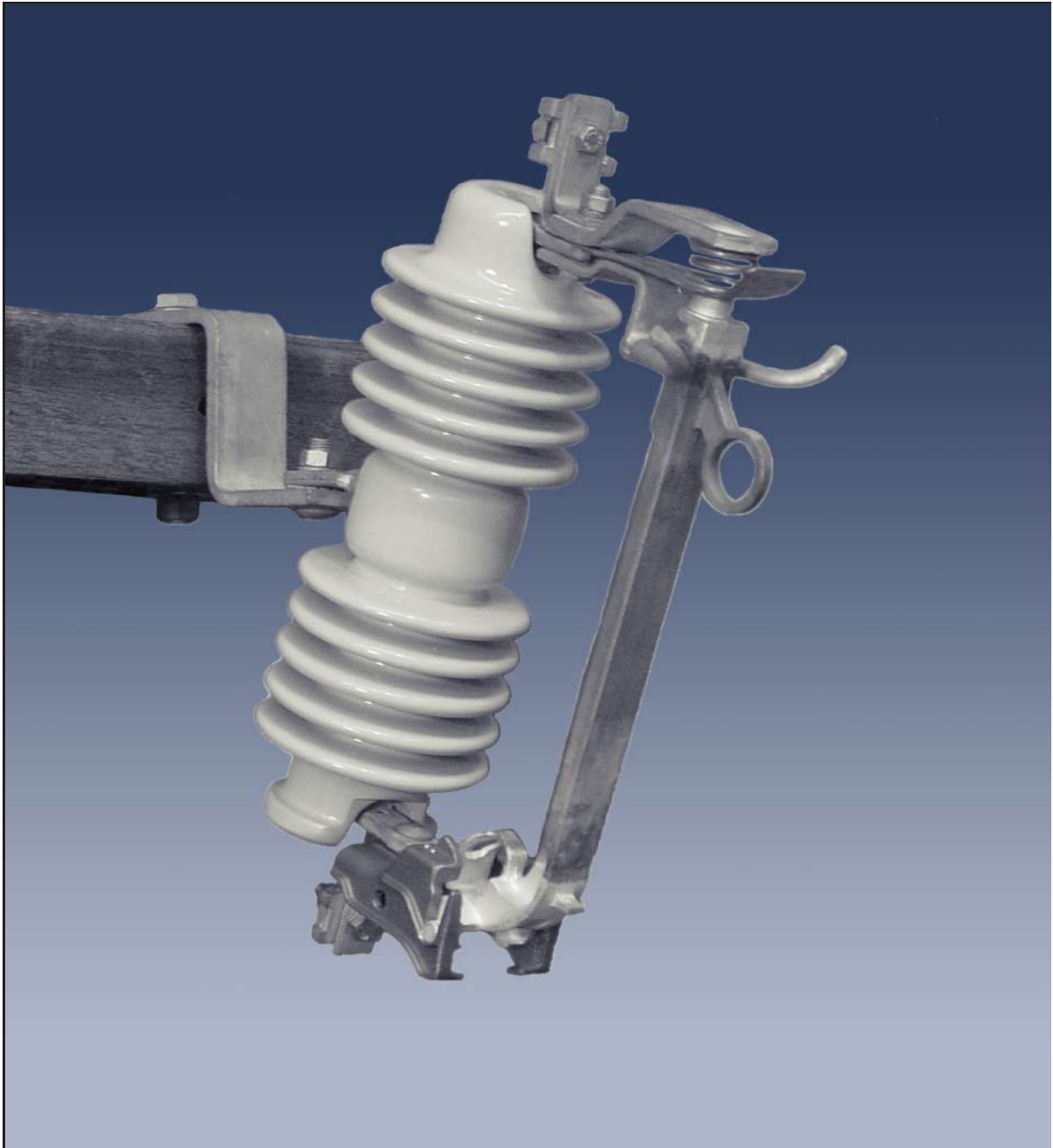


A U S T R A L I A

AEM Australia Pty. Ltd.
ABN 76 003 136 383

Quality
Endorsed
Company
ISO 9001:2000
Lic. No. 0807
Standards Australia

Expulsion Drop Out Disconnecter "Solid Link"



Rated Voltage: 12/24kV & 36kV
Rated Current: 300A

Expulsion Drop Out Disconnecter "Solid Link"

General Description

The AEM Solid Link is designed to fit in all standard (125/150kV and 170kV BIL) Single Vent EDO (Cut Out) Fuse Mounts.

It is intended for use where fusing is no longer required eg. Auto Recloser protected systems.

Functions as a disconnecter without incurring additional installation costs.

Features

- One Piece Solid Copper Section.
- Silver Plated Contact Areas.
- Fits existing Single Vent EDO (Cut Out) 125/150kV and 170kV BIL Mounts.
- Operates as a Disconnecter.
- Is Loaded and Unload in the same manner as an EDO (Cut Out) fuse carrier.

