

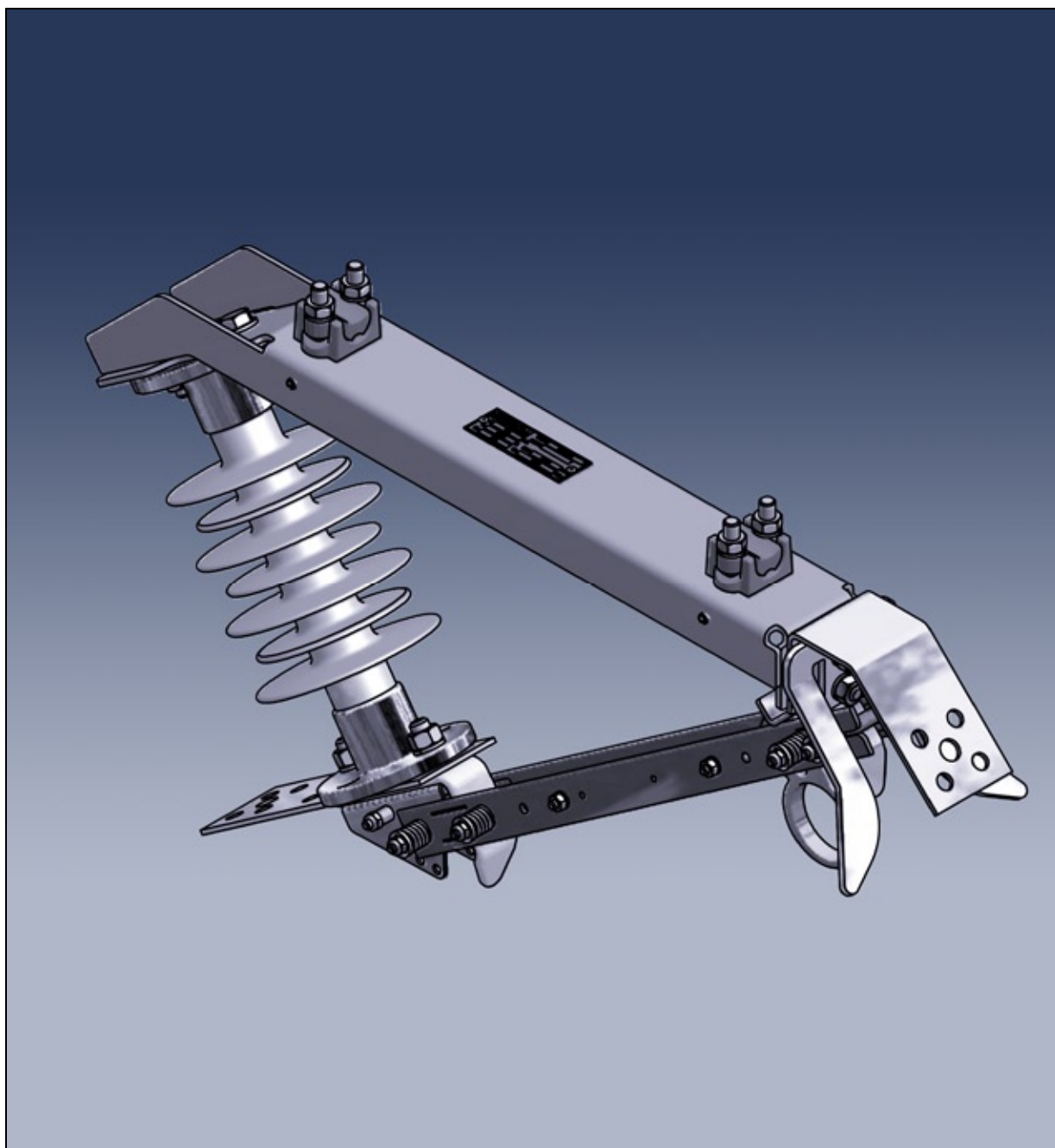


A U S T R A L I A

AEM Australia Pty. Ltd.  
ABN 76 003 136 383

Quality  
Endorsed  
Company  
ISO 9001:1994  
Lic. No. 0807  
Standards Australia

## *M.V. Suspension Tee Off Link Type "SLB"*



### ***Disconnecter***

Rated Voltage:	12/24kV & 36kV
Rated Current:	800A
BIL Rating:	125kVp to 200 kVp
Current Withstand:	25kA/1 sec

# M.V. Suspension Tee Off Link Type "SLB"

## General Description

The AEM Type "SLB Suspension Tee Off Link is a single phase disconnecter for In Line Mounting in MV Outdoor Distribution Systems and is designed to comply with: AS 1306-1985 and IEC 129

## Application

The Type "SLB" disconnecter is designed to be installed Suspended In Line to provided Tee Off disconnection for ACR's, Voltage Regulators etc.

## Features

- Positive Latching prevents accidental opening caused by faults, vibrations, wind, etc.
- Current carrying parts are manufactured from HD. HC. Copper.
- Silver Plated contacts for high performance, low maintenance and long operational life.
- Terminal Palms are bright tin plated for use with copper and aluminium connectors.
- Hinge End Contact Blade so that current path is not through pivot joint.

## Options

- Insulators: Porcelain, Polymeric and Cyclo-Aliphatic.

## Operation

- Operating Stick

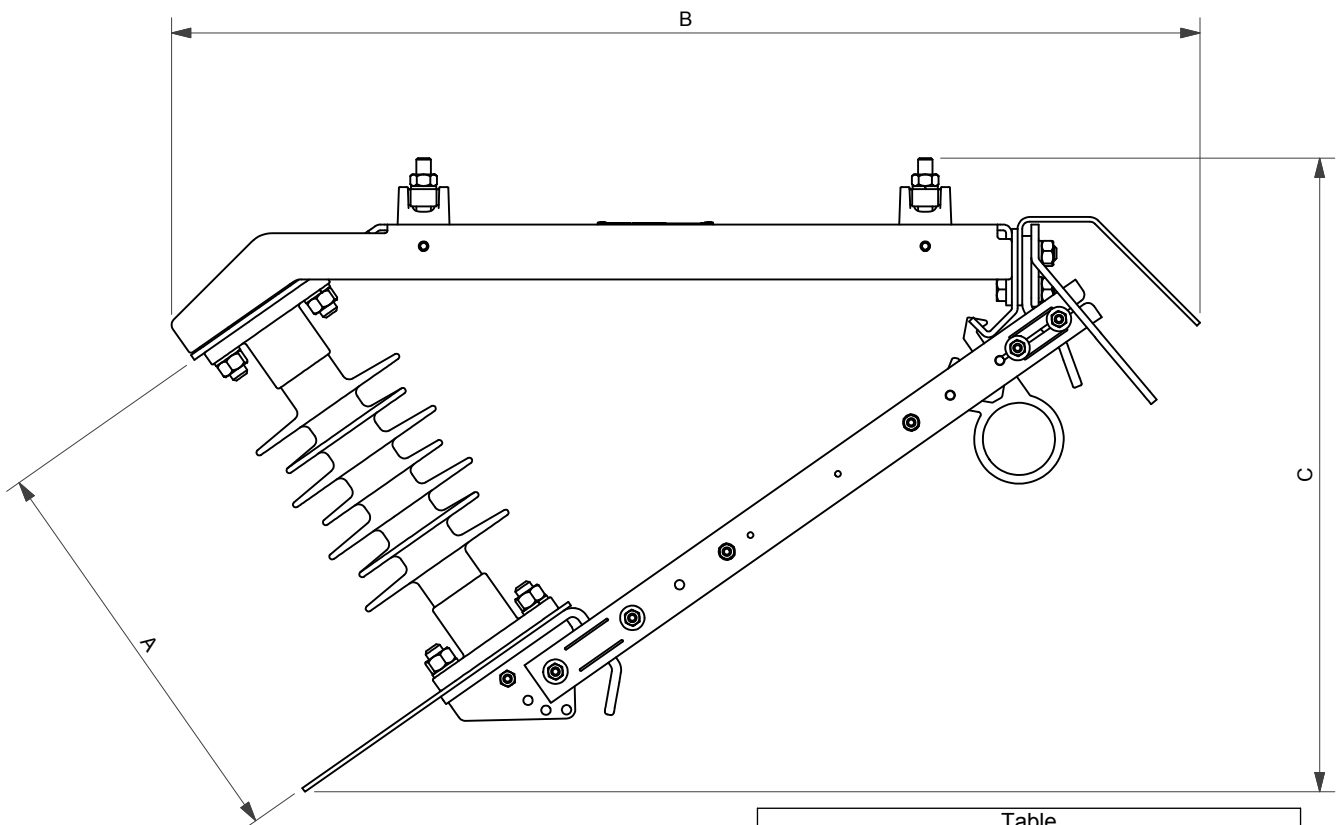


Table			
kV	A	B	C
12/24	286	713	440
36	410	868	558