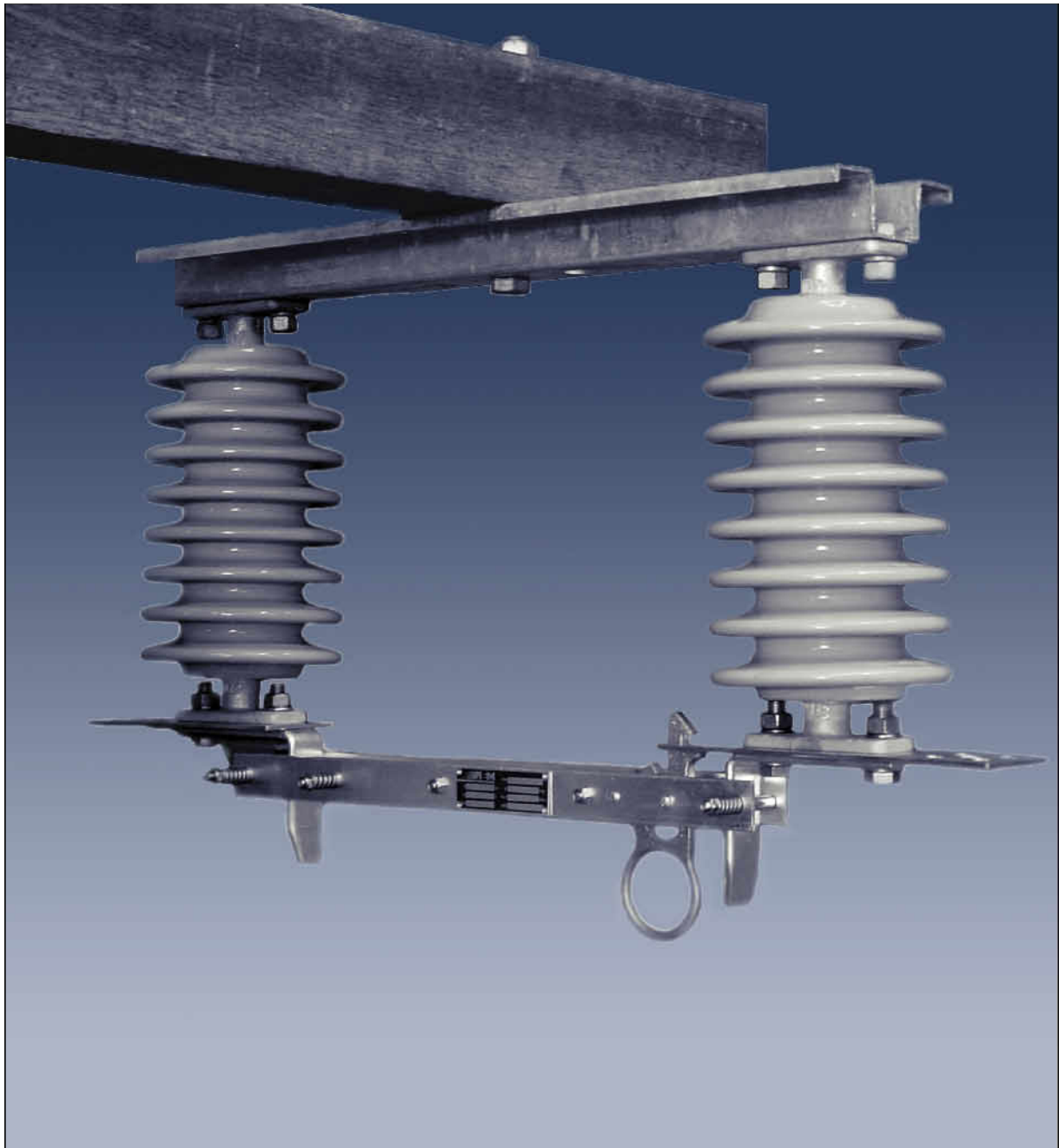


M.V. Single Phase Disconnecter Type "DIL"



Rated Voltage: 12/24 & 36kV

Rated Current: 800A & 1000A

BIL Rating: 150 & 200kVp

Short Time Withstand Current: 20kA/3secs 25kA/1 sec

M.V. Single Phase Disconnecter Type "DIL"

General Description

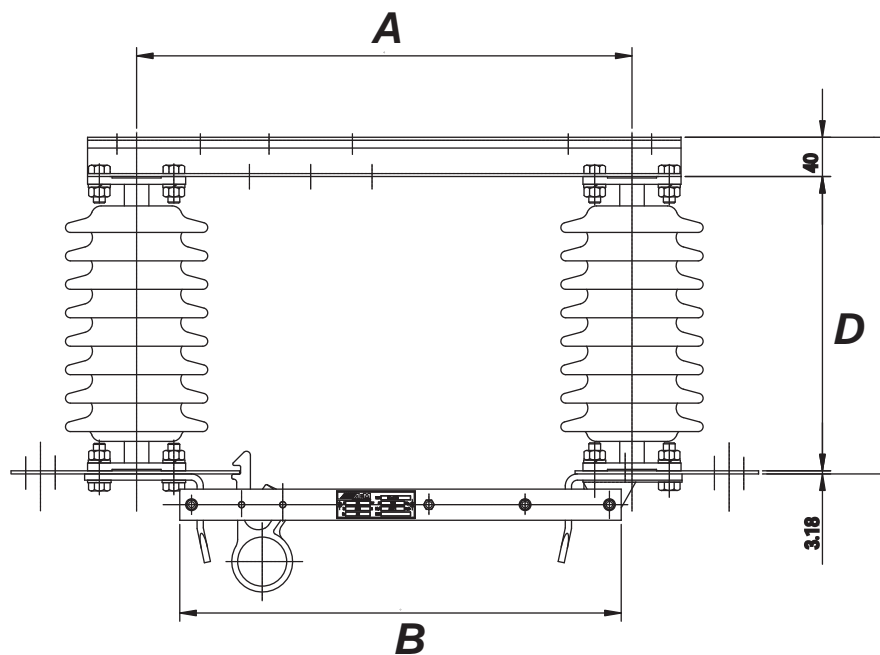
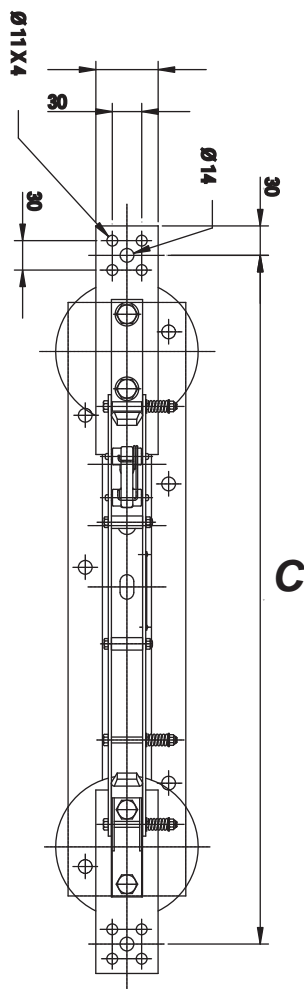
The AEM Type "DIL" is a Single Phase, Double Insulator Disconnecter designed for MV Outdoor Distribution Systems to Comply with IEC 129 & AS1306-1985.

Features

- Positive Latching Prevents accidental opening caused by faults, vibration, wind etc.
- Current carrying parts are manufactured from HD.HC. Copper.
- Silver Plated contacts for high performance, low maintenance and long operational life.
- Hinge End Contact blade so that the current is not carried through the pivot joint. This feature also ensures blade alignment when closing the disconnecter.
- Terminal Palms are bright tin plated for use with copper and aluminium connectors.

Options

- Vertical or Horizontal Mounting.
- Load break hooks.
- Earthing Bolts.



RATED VOLTAGE kV	BIL kV	DIMENSIONS (mm)			
		A	B	C	D
12/24	150	505	450	700	300
36	200	595	540	790	350