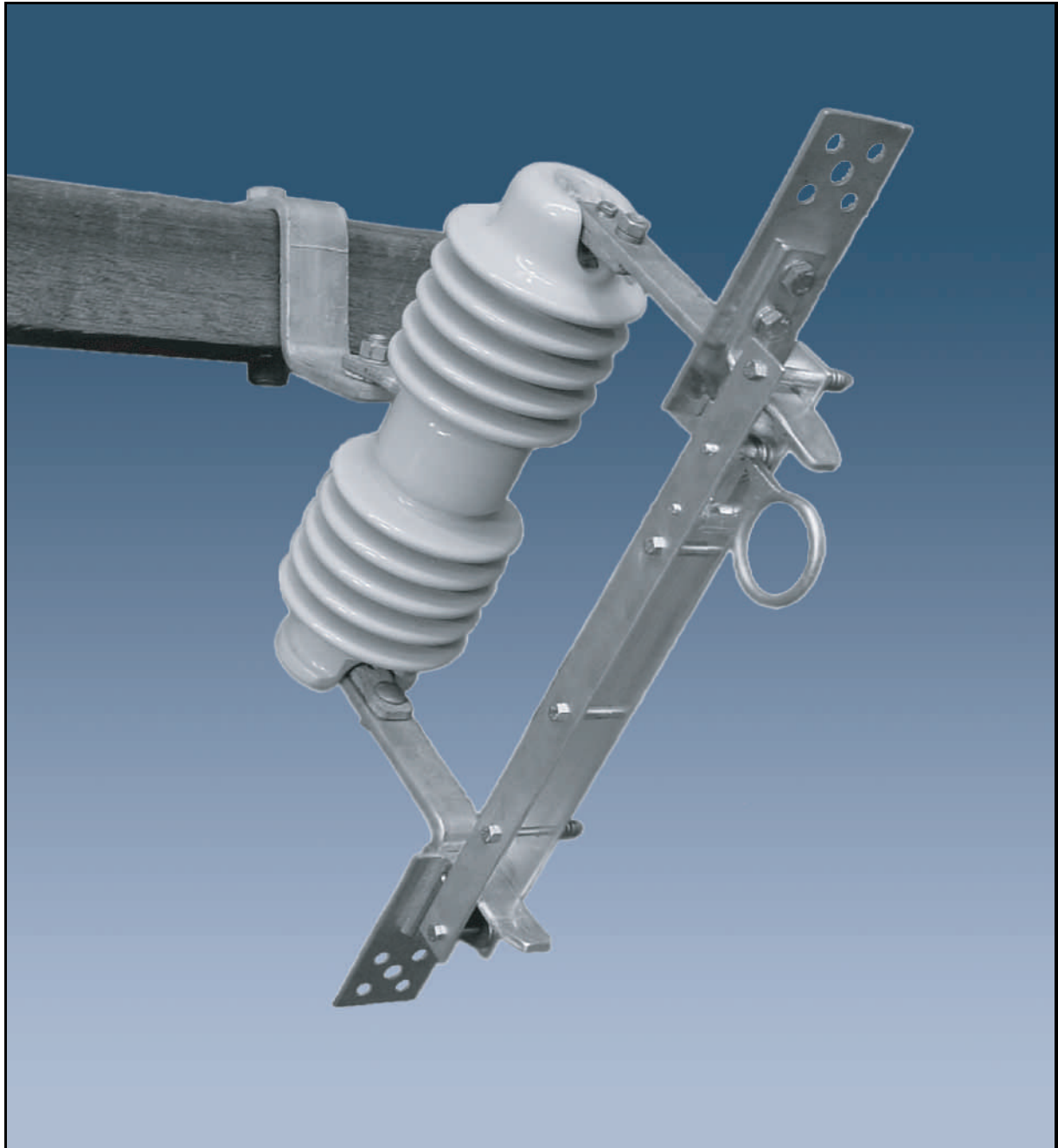


M.V. Single Phase Disconnecter Type "SIL"



Rated Voltage: 12, 24kV & 36kV

Rated Current: 800A & 1000A

BIL Rating: 125, 150 & 170kVp

Short Time Disconnecter Withstand Current: 20kA/3secs 25kA/1sec

M.V. Single Phase Disconnecter Type "SIL"

General Description

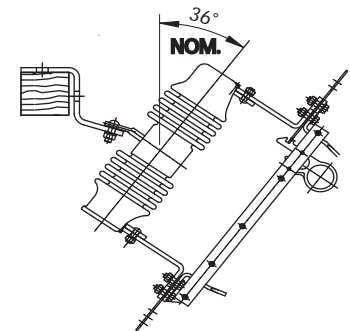
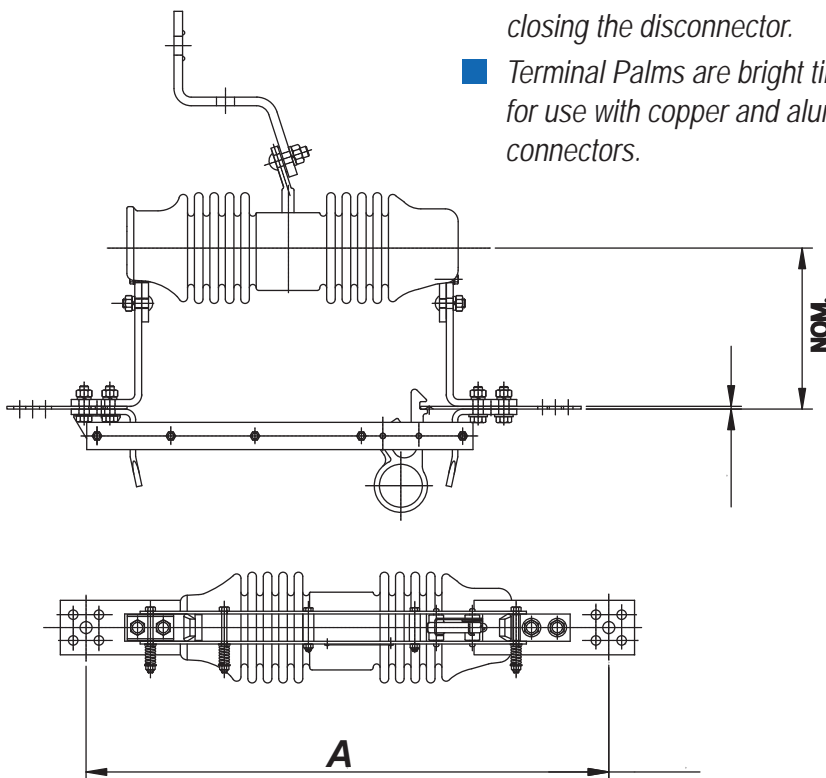
The AEM Type "SIL" is a Single Phase Single Insulator Disconnecter for MV Outdoor Distribution Systems to Comply with IEC 129 and AS1306-1985.

Features

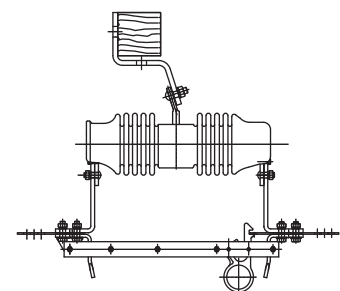
- Positive Latching Prevents accidental opening caused by faults, vibration, wind, etc.
- Current carrying parts are manufactured from HD. HC. Copper.
- Silver Plated contacts for high performance, low maintenance and long operational life.
- Hinge End Contact blade so that the current is not carried through the pivot joint. This feature also ensures blade alignment when closing the disconnecter.
- Terminal Palms are bright tin plated for use with copper and aluminium connectors.

Options

- Vertical or Horizontal Mounting.
- Load break hooks.
- Earthing Bolts.



VERTICALLY MOUNTED



HORIZONTALLY MOUNTED

RATED VOLTAGE kV	BIL kV	DIMENSIONS (mm)
		A
12/24	125	609
24	150	609
36	170	698